

# PRODUCT DATA SHEET

# BRITTON<sup>®</sup>



PRODUCT CODE

CAM.60 1TH

RANGE

CAMBERWELL

DESCRIPTION

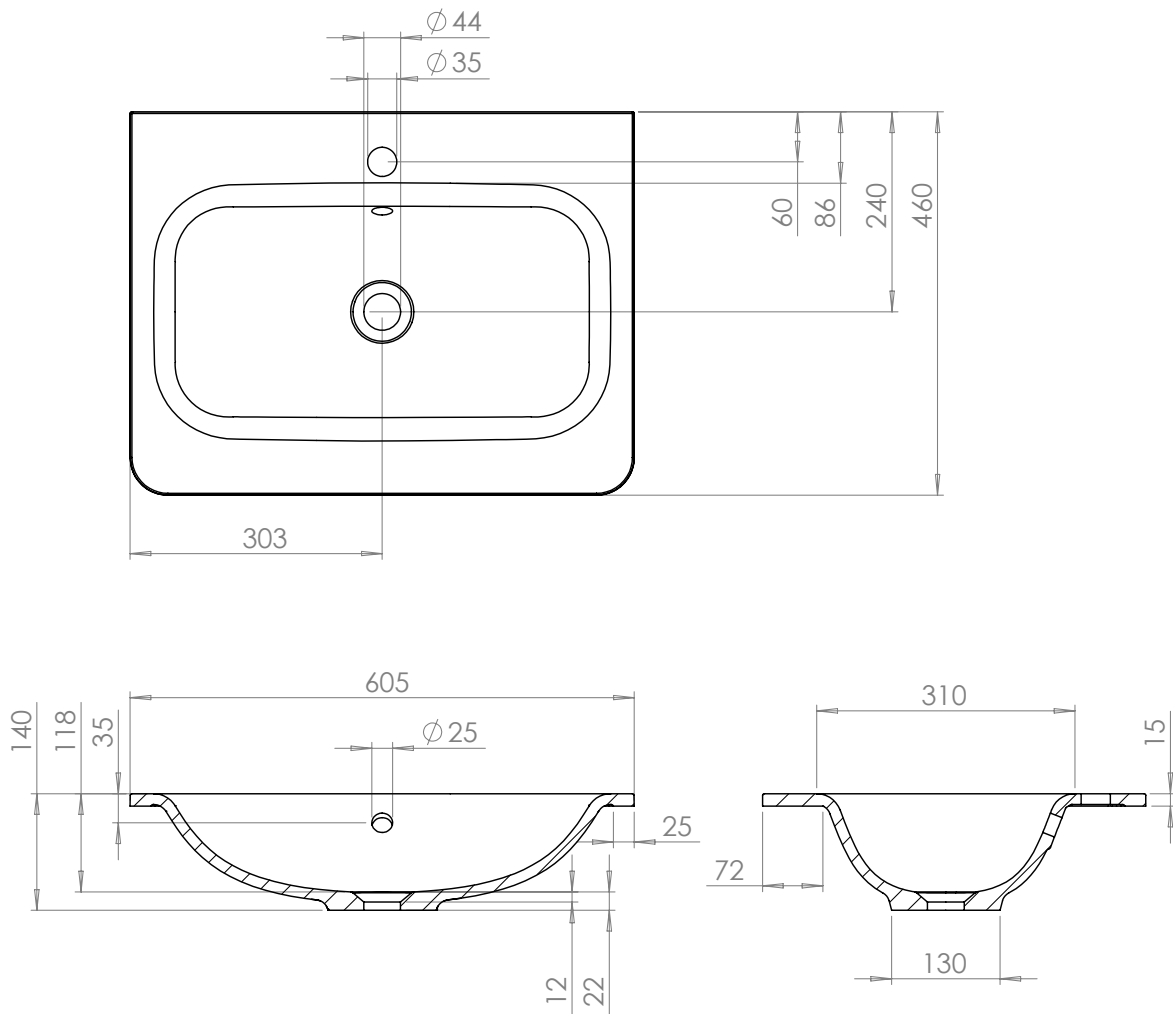
600mm Basin 1TH White

COLOUR	White
COLOUR CODE/ REFERENCE	N/A
MATERIAL	Gelcoat Cast Mineral Marble
STANDARDS	EN 31/EN 14688 - CL0
INSTALLATION TYPE	Furniture Mounted
DOP CLASS	01-2017
CAPACITY OF WATER AT OVERFLOW LEVEL	15 L
BASIN WASTE SIZE	45mm
TAP HOLES	1
OVERFLOW	Yes
WARRANTY	10 Years

## TECHNICAL DIMENSIONS

Dimensions in mm unless otherwise specified.

Tolerances (per material type) apply.



External Overflow Pipe Included.

V10522